

DESCRIPTION

AMC MODEL SWN-2184-1DR OPTION: HS25NS, HPR05W, -12V IS A HIGH SPEED, REFLECTIVE SINGLE POLE SINGLE THROW SWITCH DESIGNED TO OPERATE OVER THE FULL 2 TO 18 GHz FREQUENCY RANGE WITH 0.5 WATT POWER HANDLING.

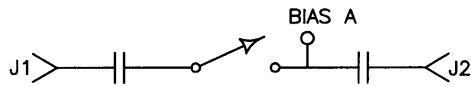
SPECIFICATIONS

- FREQUENCY RANGE: 2 TO 18 GHz
- INSERTION LOSS: 2.5 dB MAXIMUM
- ISOLATION: 70 dB MINIMUM
- VSWR: 2.0:1
- DELAY ON: 25 nSec MAXIMUM
- DELAY OFF: 25 nSec MAXIMUM
- POWER HANDLING: 1 WATT CW, 10 WATTS PEAK 1 uSec
- CONTROL: TTL LOGIC "0" = ON
TTL LOGIC "1" = OFF
- POWER SUPPLY: +5V @ 100 mA MAXIMUM
-12V @ 50 mA MAXIMUM
- CONNECTORS:
RF: SMA FEMALE
CONTROL: SOLDER PIN
- SIZE: 1.00" (L) x 1.00" (W) x 0.50" (H)

OPTIONS:

- HS25NS: HIGH SPEED 25 nSec
- HPR05W: 0.5 WATT HIGH POWER HANDLING
- -12V: -12V POWER SUPPLY

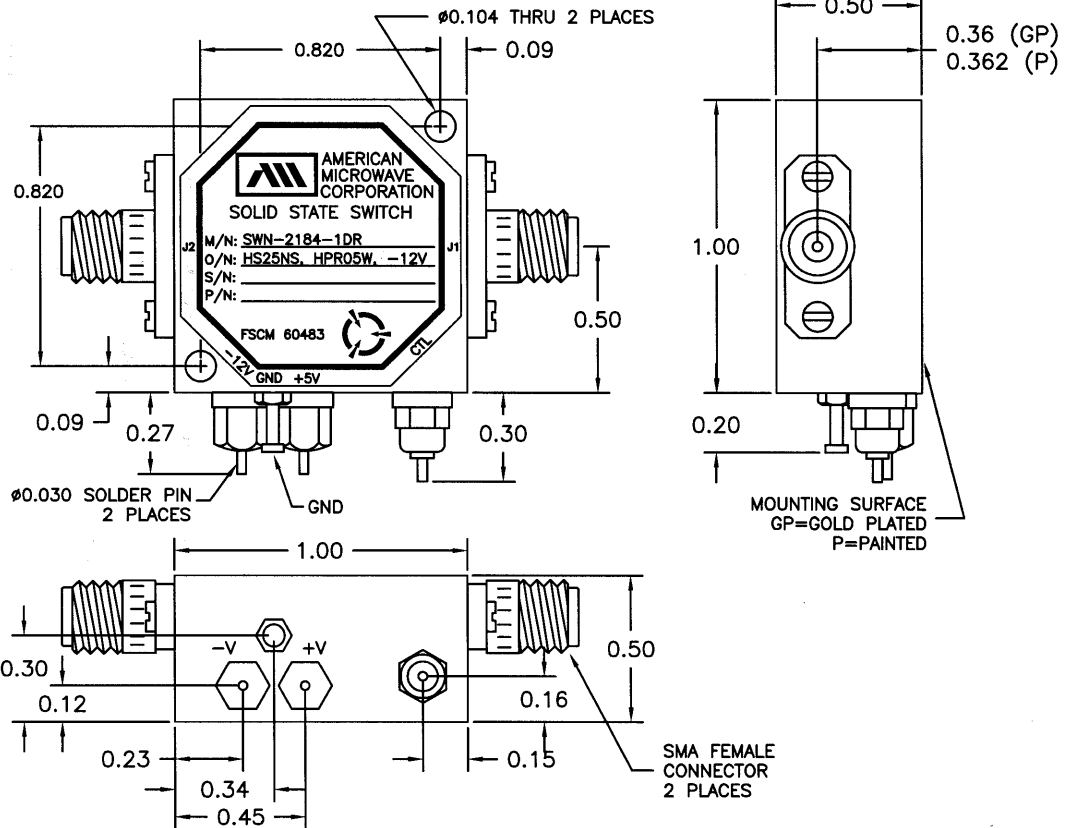
BLOCK DIAGRAM



ENVIRONMENTAL RATINGS:

- TEMPERATURE: -55°C TO +85°C (OPERATING)
-65°C TO +125°C (STORAGE)
- HUMIDITY: MIL-STD-202F, METHOD 103B COND. B
- SHOCK: MIL-STD-202F, METHOD 213B COND. B
- VIBRATION: MIL-STD-202F, METHOD 204D COND. B
- ALTITUDE: MIL-STD-202F, METHOD 105C COND. B
- TEMPERATURE CYCLE: MIL-STD-202F, METHOD 107D COND. A

NOTE: SPECIFICATIONS WILL VARY OVER OPERATING TEMPERATURE
NOTE: THE ABOVE SPECIFICATIONS ARE SUBJECT TO CHANGE OR REVISION



ALL DIMENSIONS ARE IN INCHES
TOLERANCES:
X.XX ±0.020
X.XXX ±0.010

REVISIONS				
ZONE	REV.	DESCRIPTION	DATE	APPROVED
	-	ORIGINAL RELEASE JOB# 502040	2/11/05	

AMERICAN MICROWAVE CORPORATION

7311-G GROVE ROAD
FREDERICK, MARYLAND 21704 USA
TEL: 301-662-4700 FAX: 301-662-4938
WEBSITE: www.americanmicrowavecorp.com
E-MAIL: sales@americanmicrowavecorp.com
ISO 9001:2000 CERTIFIED

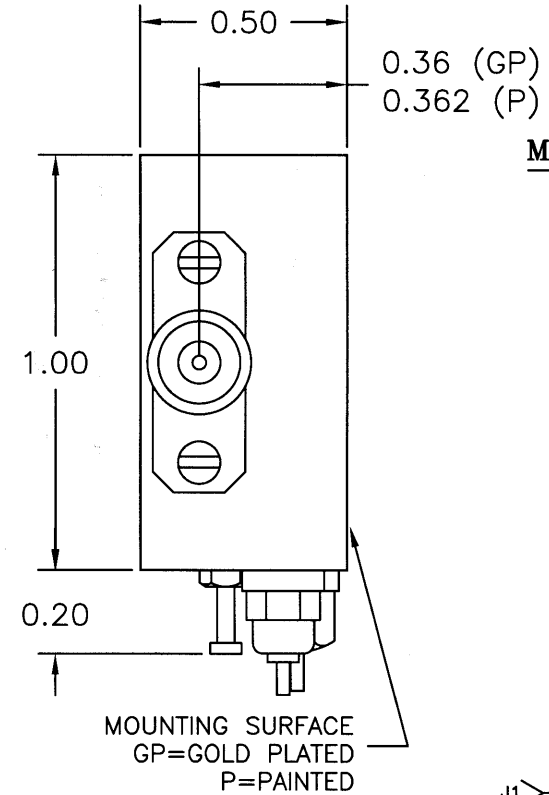
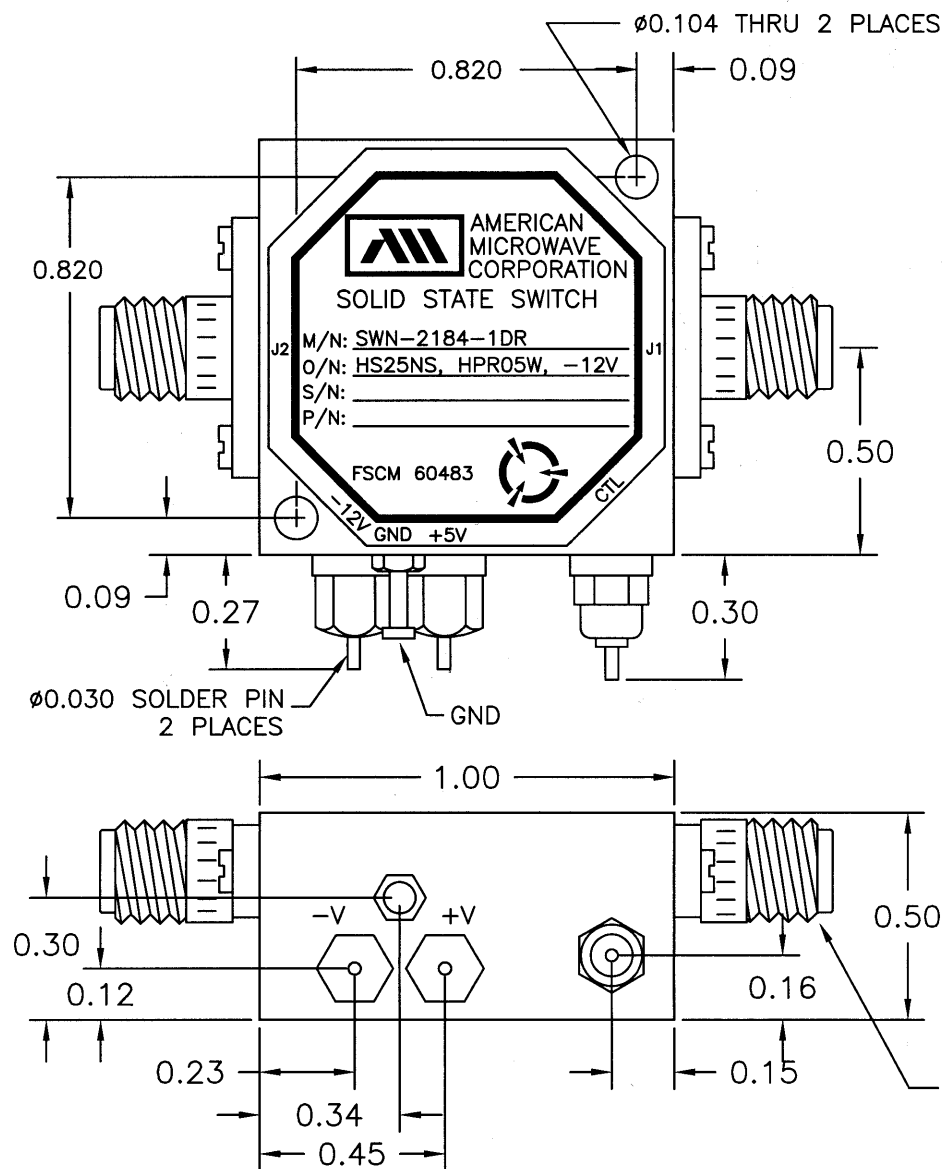


APPROVALS		DATE	TITLE		
DRAWN <i>JDJ</i>		2/11/05	PRODUCT FEATURE SWN-2184-1DR OPTION: HS25NS, HPR05W, -12V 2 - 18 GHz, SINGLE POLE SINGLE THROW SWITCH		
CHECKED			SIZE A	FSCM NO. 60483	DWG NO. 100-7335
ISSUED					REV. -
SCALE N:S				SHEET 1 OF 3	

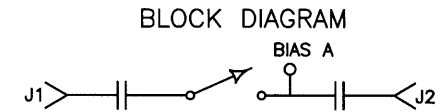
DESCRIPTION

AMC MODEL SWN-2184-1DR OPTION: HS25NS, HPR05W, -12V IS A HIGH SPEED, REFLECTIVE SINGLE POLE SINGLE THROW SWITCH DESIGNED TO OPERATE OVER THE FULL 2 TO 18 GHz FREQUENCY RANGE WITH 0.5 WATT POWER HANDLING.

REVISIONS				
ZONE	REV.	DESCRIPTION	DATE	APPROVED
	-	ORIGINAL RELEASE JOB# 502040	2/11/05	



MECHANICAL OUTLINE



SMA FEMALE CONNECTOR 2 PLACES

ALL DIMENSIONS ARE IN INCHES
TOLERANCES:
X.XX ±0.020
X.XXX ±0.010

AMERICAN MICROWAVE CORPORATION

7311-G GROVE ROAD
FREDERICK, MARYLAND 21704 USA
TEL: 301-662-4700 FAX: 301-662-4938
WEBSITE: www.americanmicrowavecorp.com
E-MAIL: sales@americanmicrowavecorp.com
ISO 9001:2000 CERTIFIED



APPROVALS		DATE	TITLE		
DRAWN <i>gdf</i>		2/11/05	MECHANICAL OUTLINE SWN-2184-1DR OPTION: HS25NS, HPR05W, -12V 2 - 18 GHz, SINGLE POLE SINGLE THROW SWITCH		
CHECKED			SIZE A	FSCM NO. 60483	DWG NO. 100-7335
ISSUED			SCALE N:S		SHEET 2 OF 3